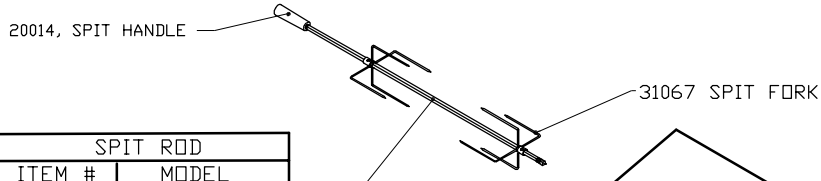


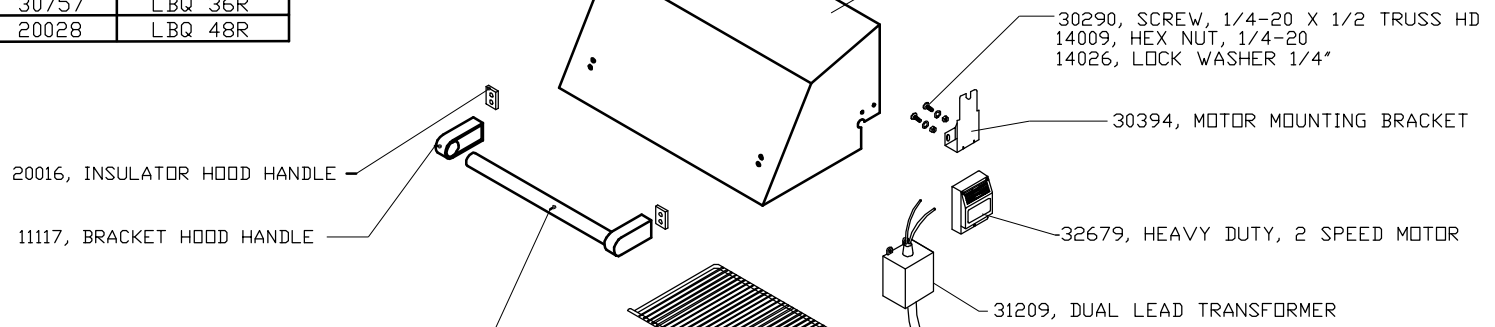


PREMIER SERIES
(2002-2004) SERIES 'E'



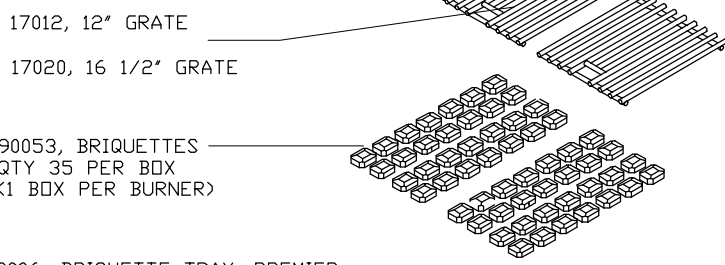
SPIT ROD	
ITEM #	MODEL
30756	LBQ 27R
30757	LBQ 36R
20028	LBQ 48R

FRONT HOOD ASSY	
ITEM #	MODEL
80001	LBQ 27/27R
80020	LBQ 36/36R
80038	LBQ 48/48R



HOOD HANDLE	
ITEM #	MODEL
10063	LBQ 27/27R
10064	LBQ 36/36R
10065	LBQ 48/48R

WARMER SHELF	
ITEM #	MODEL
20066	LBQ 27R
20068	LBQ 36R
20070	LBQ 48R



17012, 12" GRATE
17020, 16 1/2" GRATE
90053, BRIQUETTES
QTY 35 PER BOX
(1 BOX PER BURNER)
80006, BRIQUETTE TRAY, PREMIER
(27", 36", 48")

MANIFOLD ASSY-COMLETE	
ITEM #	MODEL
80037	LBQ 27 LP
80096	LBQ 27 NG
80009	LBQ 27R LP
80091	LBQ 27R NG
80027	LBQ 36R LP
80093	LBQ 36R NG
80045	LBQ 48R LP
80095	LBQ 48R NG

11012, H-BURNER (BRASS)
31217, ELECTRODE W/ 15" WIRE
31218, ELECTRODE W/ 25" WIRE
31219, ELECTRODE W/ 30" WIRE

BULL NOSE ASSY	
ITEM #	MODEL
80005	LBQ 27/27R
80024	LBQ 36/36R
80042	LBQ 48/48R

10077 COLLECTOR BOX
W/ TAPPED HOLE
14018 SCREW
31442 BURNER VALVE
31058, IR SAFETY VALVE
31065, COUPLER
31142, IR BURNER VALVE

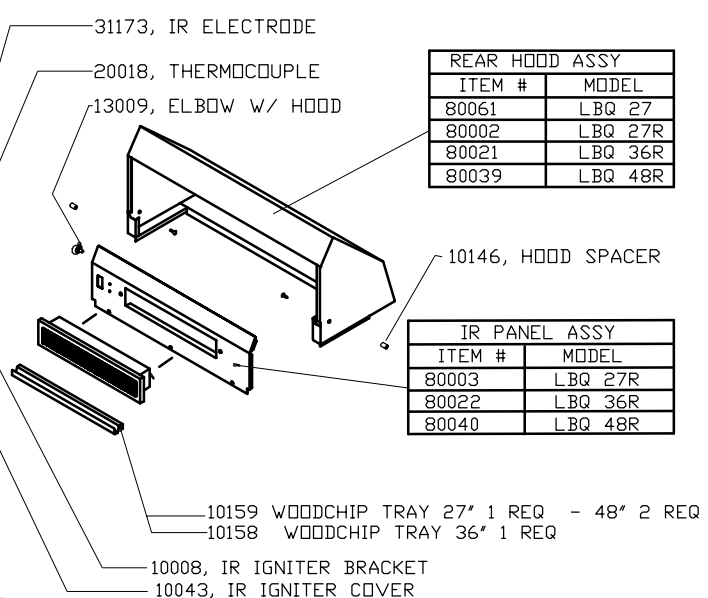
IGNITION UPDATE KIT	
ITEM #	MODEL
90058	LBQ 27
90059	LBQ 27R
90061	LBQ 36R
90063	LBQ 48R

30763, 4-SPARK IGNITER
30762, 2-SPARK IGNITER
10001, BEZEL
31398, IGNITER SHIELD
20079, IGNITER SWITCH

90166 STAINLESS ROTIS KNOB
90137 STAINLESS BURNER KNOB
80050, SMOKER TRAY ASS'Y
80489, BATTERY TRAY/ LOGO ASS'Y

FRONT PANEL ASS'Y	
ITEM #	MODEL
80047	LBQ 27
80046	LBQ 27R
80048	LBQ 36R
80049	LBQ 48R

DRIP PAN	
ITEM #	MODEL
10092	LBQ 27/27R
10093	LBQ 36/36R
10094	LBQ 48/48R



REAR HOOD ASSY	
ITEM #	MODEL
80061	LBQ 27
80002	LBQ 27R
80021	LBQ 36R
80039	LBQ 48R

IR PANEL ASSY	
ITEM #	MODEL
80003	LBQ 27R
80022	LBQ 36R
80040	LBQ 48R

BURNER HANGER	
ITEM #	MODEL
10067	LBQ 27/27R
10068	LBQ 36/36R
10069	LBQ 48/48R

FIREBOX ASSY	
ITEM #	MODEL
80004	LBQ 27/27R
80023	LBQ 36/36R
80041	LBQ 48/48R

31173, IR ELECTRODE
20018, THERMOCOUPLE
13009, ELBOW W/ HOOD
10146, HOOD SPACER
10159 WOODCHIP TRAY 27' 1 REQ - 48' 2 REQ
10158 WOODCHIP TRAY 36' 1 REQ
10008, IR IGNITER BRACKET
10043, IR IGNITER COVER
30781, REGULATOR 4"/11"
13053, LP REGULATOR 2-STAGE
W/ 30" HOSE